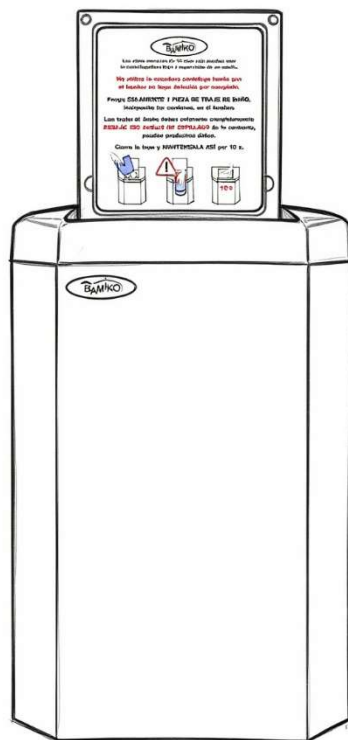




Swimwear spin dryer

Type: OD 100, Model: B 250-1



User manual R10

IMPORTANT:

READ CAREFULLY BEFORE USE. KEEP FOR FUTURE REFERENCE

Notice to Installer:

This document contains important information about the installation, operation and safe use of this product – this information must be read before the installation and start-up of this product. Once the product has been installed this document must be given to the owner/operator of this equipment. The user manual is to be read before installation of the product and its first use.

Keep the manual close by for future use



Dear customers,

Congratulations for purchasing SuitSpin by Bamiko. Bamiko Company sincerely appreciates your decision. We believe that our product will bring you many satisfied customers.

In order to get the maximum from this product, we would like to provide you in this user manual with all necessary information and tips for trouble-free use. We recommend that you thoroughly read this manual before you start using the product.

Importer: Certikin International Ltd.
Unit 4, Tungsten Park
Collets Way
Witney, Oxfordshire OX29 0AX
United Kingdom

Manufacturer: Bamiko s.r.o.
Bezručova 663
756 61 Rožnov pod Radhoštěm
Czech Republic

Content	Page number
ES (EU) Conformity declaration	3
Safety information	4 – 5
Product description	6
Technical information	7
Product installation	8 – 16
Cleaning and maintenance	17 – 20
Wiring connection	21
Troubleshooting	22
Annex	23

ES (EU) CONFORMITY DECLARATION

Manufacturer: BAMIKO s.r.o.
 Bezručova 663, 756 61 Rožnov pod Radhoštěm, Czech Republic

Product: Swimwear Spin Dryer

Type: OD 100

Model: B 250-1

Serial number: YYYYMMXXXX

Production Year: 2025

Description of the appliance:

Swimwear Spin Dryer is designed for water extraction from a swimwear at swimming pools and other aqua establishments. Swimwear Spin Dryer is designed for self-operation. Main part of the Swimwear Spin Dryer is the inner drum with the lid, extraction process begins by closing the lid. The inner drum stops automatically at a set time interval or when the lid is opened.

Product is in compliance with all applicable standards:

European directive 2014/35/EU (Government regulation No. 118/2016 Sb.) – Low Voltage Directive
 European directive 2014/30/EU (Government regulation No. 117/2016 Sb.) – EMC Directive
 European directive 2011/65/EU (Government regulation No. 481/2012 Sb.) – RoHS 2 Directive

Used harmonized standards:

EN IEC 60335-2-4:2025 + A11:2025	
EN IEC 60335-1:2023 + A11:2023	
EN 62233:2008	
ČSN EN IEC 55014-1 ed.5:2021	ČSN EN IEC 61000-3-2 ed.5:2019 + A1:2021+A2:2025
ČSN EN IEC 55014-2 ed.3	ČSN EN 61000-3-3 ed.3:2014 +A1:2019+A1:2022
ČSN EN 61000-4-2 ed.2:2009	ČSN EN IEC 61000-4-3 ed.4:2021
ČSN EN 61000-4-4 ed.3:2013	ČSN EN 61000-4-5 ed.3:2015+A1:2018
ČSN EN IEC 61000-4-6 ed.5:2024	ČSN EN IEC 61000-4-11 ed.3:2020

Authorized to compile the technical documentation:

Bamiko s.r.o., Bezručova 663, 756 61 Rožnov pod Radhoštěm, Czech Republic

The product is safe under standard and intended operation.

Institut pro testování a certifikaci, a.s., třída Tomáše Bati 299, Louky, 763 02 Zlín, Czech Republic has tested/ certified the product and has issued: Test report no. 414105876AE1 on 16.10.2025

IMQ S.p.A, Via Quintiliano 43, 20138 Milano, Italy has tested/ certified the product and has issued: Test report PE25-0123473-01 on 13.11.2025

The manufacturer declares that its swimwear spin dryer meets all relevant regulation of the European Union, as listed above.

The last two digits of the year in which the CE marking was affixed: 25

Place of Issue, Date: In Rožnov p. R., on 6.12.2025

Identification of the person with authorisation to sign for the manufacturer: Ing. Ondřej Miller executive head

Signature:

1. Safety information

SuitSpin by Bamiko is designed and manufactured in compliance with all relevant international safety standards. Product installation which is contrary to this manual, improper use of the device, inadequate cleaning of the device or improper repair of the device, could lead to personal injury and product damage.

TO AVOID POSSIBLE HARM, READ AND FOLLOW THESE INSTRUCTIONS. RETAIN THESE INSTRUCTIONS FOR FUTURE REFERENCE. IT IS ADVISABLE TO KEEP THESE INSTRUCTIONS IN CLOSE PROXIMITY TO THE DEVICE.

⚠️ WARNING This equipment must be installed and maintained by qualified persons only. Improper installation and maintenance can create electrical and mechanical hazards which could result in property damage, serious injury or death. Improper installation and servicing will void the warranty.

⚠️ WARNING A qualified electrician must carry out all electrical wiring in accordance with local electrical regulations.

⚠️ WARNING Before each use, check that the drum is empty and intact.

⚠️ WARNING The user manual is to be read before installation of the product and its first use. Keep the manual close by for future use.

⚠️ WARNING Keep all the packaging material in case you would need to send the product back for repair.

⚠️ WARNING Manufacturer is not liable for any damage and injury caused by incorrect installation and use of the product.

⚠️ WARNING Swimwear Spin Dryer is to be used according to the manual solely with 1 piece of swimwear at a time, maximum mass of dry cloth 0,25 kg. Any other use is considered dangerous.

⚠️ WARNING If SuitSpin is visibly damaged, or you have any concerns over the safety of the device, **DO NOT USE** until the issues have been resolved.

⚠️ WARNING Children and people with reduced physical, sensory or mental abilities should only use the product under the supervision of a responsible adult.

⚠️ WARNING Cleaning and product maintenance should be carried out solely by a qualified and trained person.

⚠️ WARNING During cleaning and maintenance, the Swimwear spin dryer must be unplugged.

⚠️ WARNING Never pour water inside the Swimwear Spin Dryer, it could cause insufficient drainage of water which could lead to damage to the motor!

⚠️ WARNING Do not remove the protective cover of the device.

⚠️ WARNING The appliance is intended to be fixed to the wall using a provided wall bracket. Installation without the wall bracket is prohibited and could result in injury.

⚠️ WARNING Never install or use a product that is visibly damaged.

⚠️ WARNING If the supply cord is damaged, it must be replaced by the manufacturer, its service agent, or similarly qualified persons to avoid a hazard.

⚠️ WARNING Installation must be done in accordance with all applicable local plumbing codes and regulations if you are in doubt consult the connection with a local plumber.

⚠️ WARNING Make sure that you removed the transit bar from underneath the product! Without its removal, the dryer will not work correctly!

⚠️ WARNING Check regularly that the drain hose is free of obstacles and that the wastewater flows freely. In case of insufficient flow, clean or replace the drain hose!

⚠️ WARNING The drain hose must slope down at its whole length. It must not be bent or twisted!

⚠️ WARNING After installation of the dryer with the water container shorten the drain hose so that it extends 5 - 10 cm below the top of the water container!

The manufacturer or importer are not liable for any damage or injury caused by incorrect installation or incorrect use of this product.

2. Product description

SuitSpin by Bamiko is an innovative Czech designed product especially designed to extract water from a single piece of wet swimwear. SuitSpin should not be used for any other drying or spinning purpose and should not be used to dry multiple pieces of swimwear.

The device will gently extract up to 95% of the water held within a piece of swimwear, thus offering an enhanced customer experience at a low operating cost whilst at the same time significantly reducing the amount of water and moisture within changing areas which in turn prolongs the life of fixtures and fittings. SuitSpin is easy to install, use and maintain and is made from high quality materials such as chemical resistant stainless steel and highly durable plastics.

Each SuitSpin carries its own unique serial number (on the product label positioned at the bottom left hand side of the unit) for full traceability.

⚠️ WARNING A qualified electrician must carry out all electrical wiring in accordance with local electrical regulations.

2.1. *Benefits of the product*

Benefits and features of SuitSpin:

- Easy and intuitive operation
- Easy and fast maintenance
- Easy and fast installation
- Short 10 second cycle time
- Built in motor with electromagnetic break
- Built in RCD
- Manual start and stop
- Uses no heat
- Can be connected to coin/token payment
- Added value and increased comfort for visitors/users
- Great selection of colours and designs
- Environmentally friendly
- Compact dimensions
- Helps to prolong the life of wet leisure facilities
- Optional water collection tank



Once expired, this product should not be disposed of via general waste, but through a regulated waste disposal and recycling centre – please consult your local authority for full advice.

3. Technical information

Brand name	BAMIKO
Product name	SuitSpin by Bamiko
Type	OD 100
Model	B 250-1
Voltage	1N~220 - 240 V / 50/60 Hz
Noise level	<70 dB
Power	
Idle	0 W
In use	250 W
Cycle time	20 seconds
Capacity	1 piece of swimwear
Maximum mass of dry cloth	250 g
Weight	
Product itself	22,5 kg
Including packaging material	25,5 kg
Type of installation	fixed to the wall using a provided wall bracket
External dimensions	
Height	555 mm
Width	350 mm
Depth	300 mm
Waste connection:	
Drain hose length	approximately 0,7 meters
Inner diameter	25 mm
Outer diameter	31 mm
Safety features	<ul style="list-style-type: none"> safety electromagnetic brake safety mechanical end switch built-in RCD and 5A fuse bristle ring protecting the swimwear advance mechanical protection preventing water damage
The manufacturer reserves the right to make any changes in the technical parameters that do not affect the functionality of the product.	

3.1. List of supplied components

- Transport box, packaging materials, transit bar for motor protection
- SuitSpin unit (with 2.5 attached power cable + approx. 0.7m drain hose)
- Operating instructions for the unit lid and for wall mounting
- Safety screw driver, Cleaning bottle brush
- Wall bracket, Securing bracket
- Wall plugs and fixings
- User manual – full details (this document)
- Individual protected documents regarding
- installation, daily, weekly and monthly cleaning – please keep near by the product to aid with regular cleaning and maintenance or product removal

NOTICE: Please retain all packaging materials, including the motor transport bar and fixings, in the event that the unit should ever need to be returned for repair.

4. Product installation

4.1. Basic information

Remove all packaging, including protective parts and motor transit bar (see page 8), before attempting installation. Keep all of the packaging materials, including the transit bar and its fixings in case the dryer needs to be returned or transported. In the event of returning or transporting the device, the transit bar and all protective packaging **MUST** be re-established to prevent damage. Transporting or returning the dryer without the transit bar or protective parts will void the warranty.

⚠️ WARNING Never install or use a product that is visibly damaged.

All electronic connection and earthing must be done by a qualified electrician and in accordance with all applicable local electric codes and regulations. Installation of the product must be done by a qualified plumber and in accordance with all local codes and regulations.

Check that the product voltage (on the product label) is the same as in your power socket.

Dryer can be connected to a correctly installed power outlet or connected directly to the electric box.

⚠️ WARNING Work in such a way to not damage the power cord or the power socket. In case of damage consult it with a qualified electrician or your supplier and carry the necessary repairs.

4.2. Suitable place

SuitSpin must be installed a minimum of 3 metres away from any water sources that can splash onto it. It must not be installed directly next to a swimming pool or spa, in shower rooms or in other places where water may come into direct contact with the unit.

SuitSpin must not be installed directly next to the swimming pool, in the shower rooms or at other places where water can splash.

The ideal locations are areas where bathers remove their swimwear, such as changing rooms and drying rooms. Alternatively, the unit can be installed outside of changing rooms, in access corridors or at any other place where users may have safe access, but it should not be installed in areas where it can restrict free passage.

SuitSpin must be installed onto a wall which can take a minimum of 30kg of hanging weight – installation onto plasterboard walls is not recommended. If a water collection container is also to be installed, the wall must hold at least 50kg of hanging weight. These parameters cover the weight of the machine and the water container in normal use – consideration has not been given to the possibility of added weight or pressure applied by users.

The power supply should be in the vicinity of the installation location – the unit comes with 2.5m of rewired cable.

Consider and decide how waste water will be removed as part of deciding the installation location. The drain hose can be connected directly to a waste outlet in the wall, connected or placed nearby a drain or can be connected to a SuitSpin water collection container (supplied separately). The drain hose must be directed downwards along its full length – it must not bend or twist. If in doubt, consult a qualified plumber.

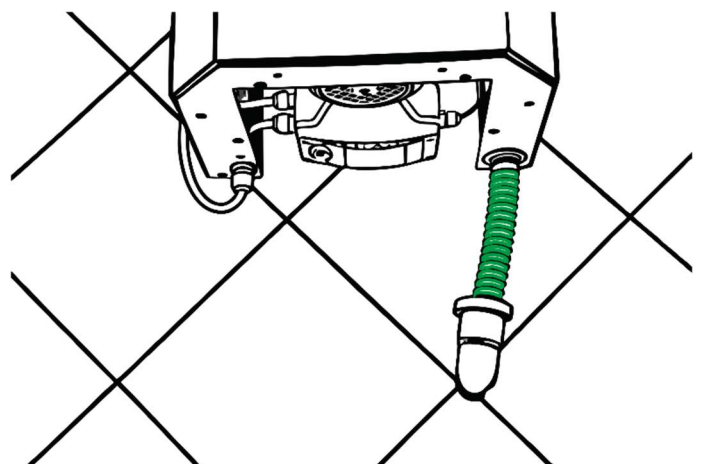
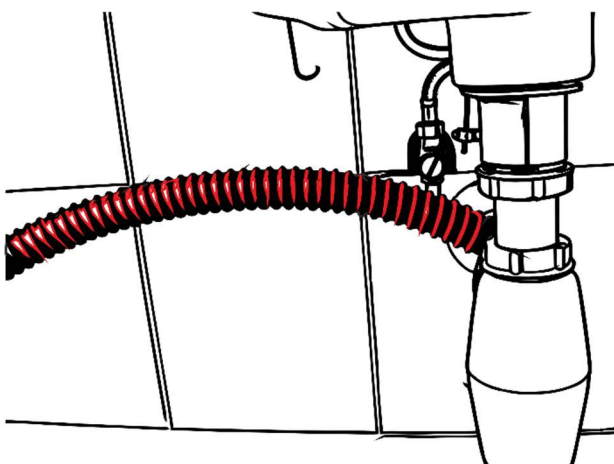
4.3. Recommended wastewater disposal

⚠ WARNING Installation must be completed in accordance with all applicable local plumbing codes and regulations. If in doubt, consult a qualified plumber.

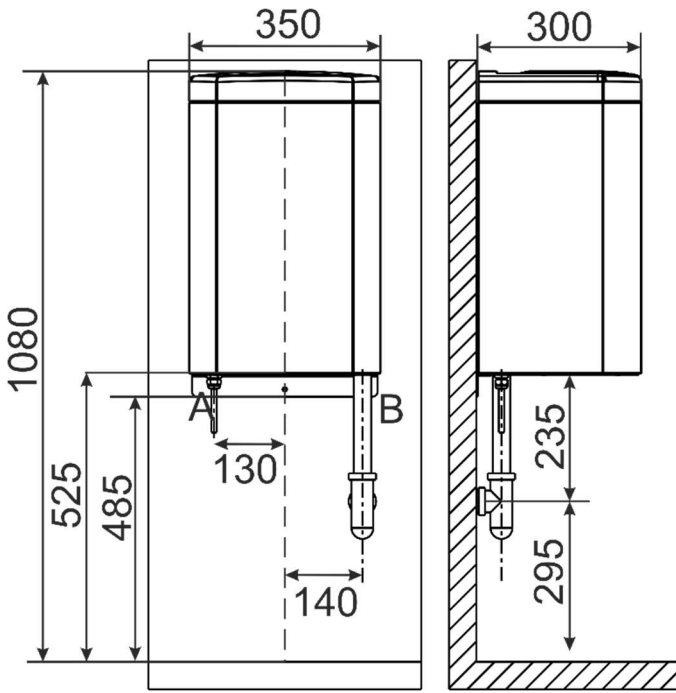
⚠ WARNING Check regularly that the drain hose is free of obstacles and that the wastewater flows freely. In case of insufficient flow, clean or replace the drain hose!

⚠ WARNING The drain hose must slope down at its whole length. It must not be bent or twisted!

⚠ WARNING After installation of the dryer and the water container shorten the drain hose so that it extends 5 - 10 cm below the top of the water container.



4.3.1. Connection to a waste line



A - Power cord - length 2.5 m

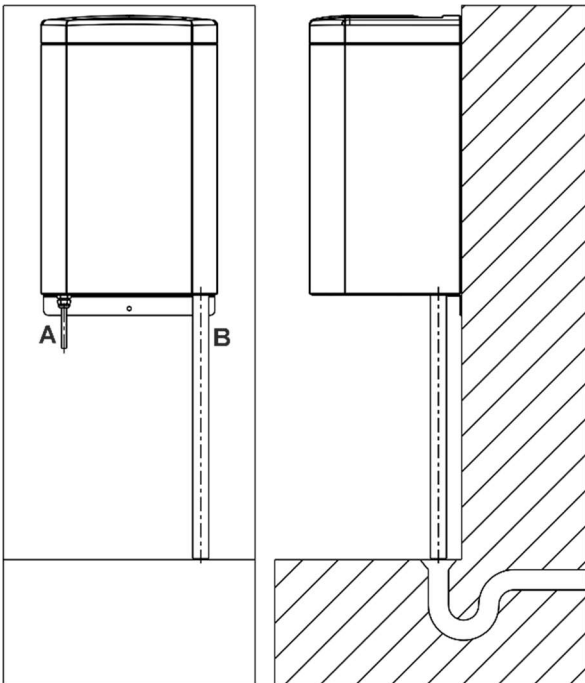
B - Drain hose - length 0.7 m

Inner diameter 25 mm

Outer diameter 31 mm

Shorten the drain hose according to your needs. The drain hose must not be bent or twisted and it must always slope down to provide adequate water disposal. Not following this instruction, could leave to insufficient flow of water which could cause unpleasant smell and damage to the product.

4.3.2. Connection to a floor drain



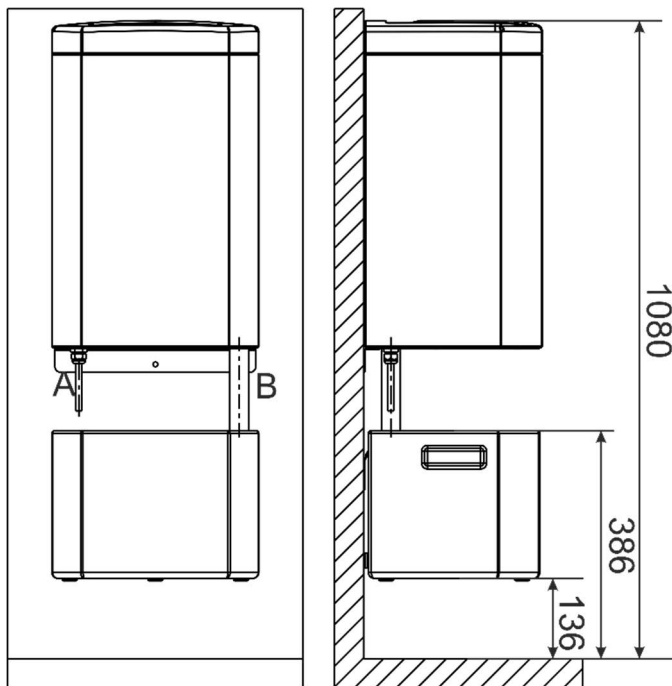
The drain hose can be connected or placed near a floor drain.

Shorten the drain hose according to your needs. The drain hose must be placed in such a way that it does not create an obstacle for people walking by.

In case the drain hose is placed in the vicinity of the floor drain, we recommend cutting the hose at an angle of 45° to maintain the free flow of water and prevent blockage.

This connection is recommended ONLY in places, where people expect water on the floor.

4.3.3. Connection to a water container

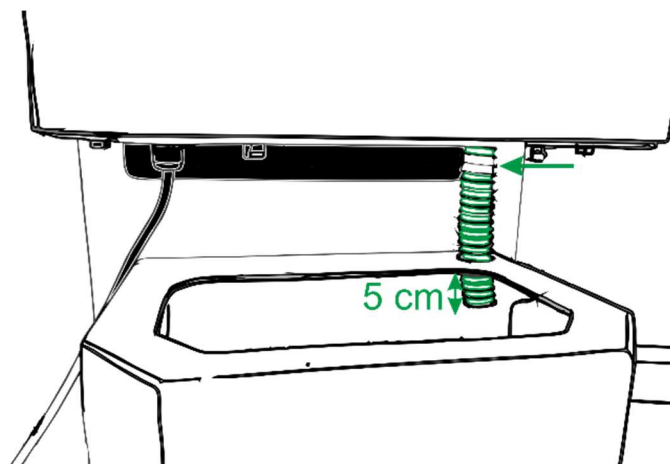


You can connect the drain hose to a water container that is installed on the wall underneath the dryer. The capacity of the water container is 18 liters of water and it needs to be emptied manually.

After installation of the dryer and the water container shorten the drain hose so that it extends 5 - 10 cm below the top of the water container. Pull the drain hose through the hole in the water container, this way the drain hose will stay in place.

This installation is **ONLY** possible on walls that can hold at least 50 kg of weight.

⚠ WARNING After installation of the dryer and the water container shorten the drain hose so that it extends 5 - 10 cm below the top of the water container.



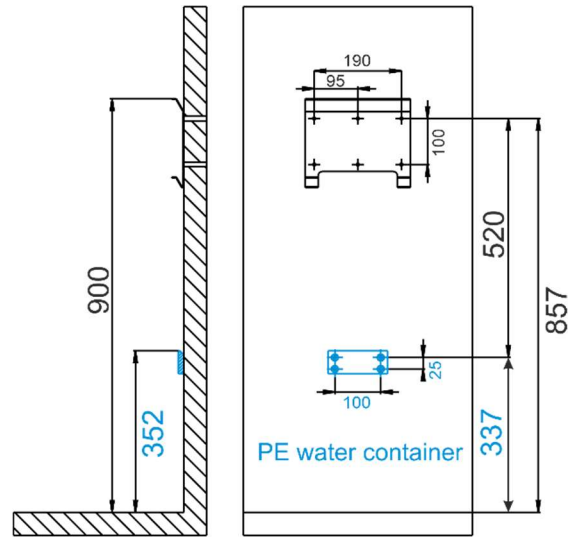
4.4. Installation of the product to the wall

4.4.1. What items will you need?

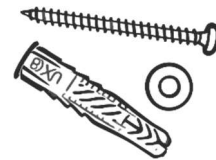
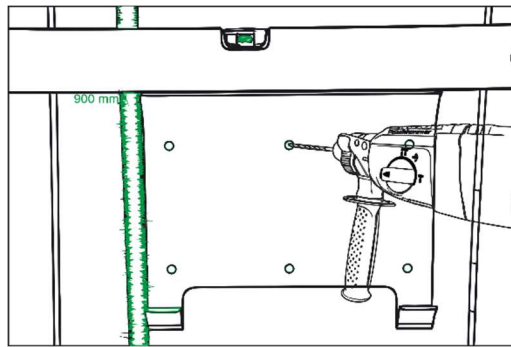
- A suitable Masonry drill with a drill bit (8 mm in diameter)
- Spirit level and tape meter 2 meters long
- Marker pen
- 7 x wall fixings 8 x 50 mm – supplied (with a water container 11 x), 7 x stainless steel screw 5 x 60 mm – supplied (with a water container 11 x)

4.4.2. Installation process

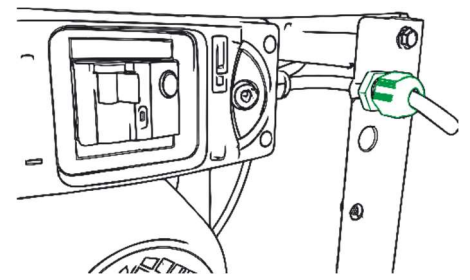
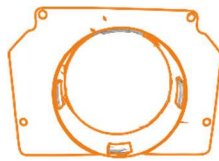
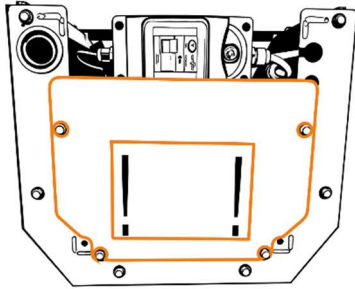
1. After selecting a suitable place for installation, place the wall bracket against the wall so that the top edge is 900 mm from the floor, make sure that the bracket is level using the spirit level and mark 6 holes using a marker pen. Drill the holes and fit the wall fixings. Line the wall bracket with the holes, make sure it is level and fix it securely using supplied screws. The top edge of the dryer will



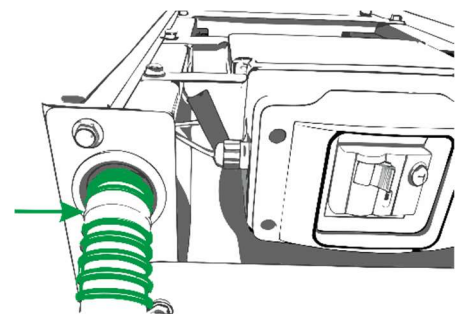
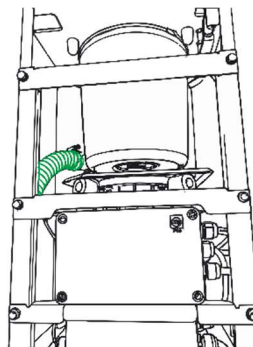
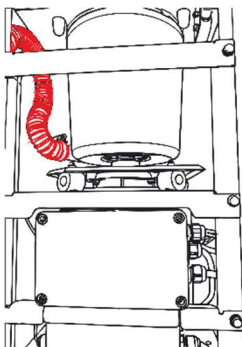
be at a height of 108 cm from the floor.



2. Make sure that you removed the transit bar from underneath the product! Without its removal, the dryer will not work correctly!

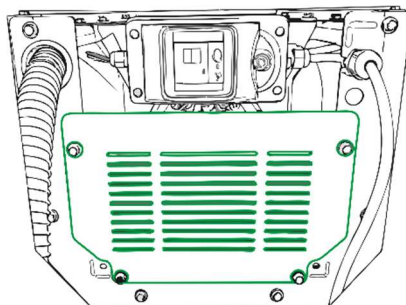


3. Pull out the waste hose entirely by pulling downwards (red arrow) until you see the white mark (green arrow). If you do not see the white mark, the waste hose is not pulled out enough! Operating product without properly pulled out waste hose can lead to a damage to the product! Shorten the drain hose as needed.

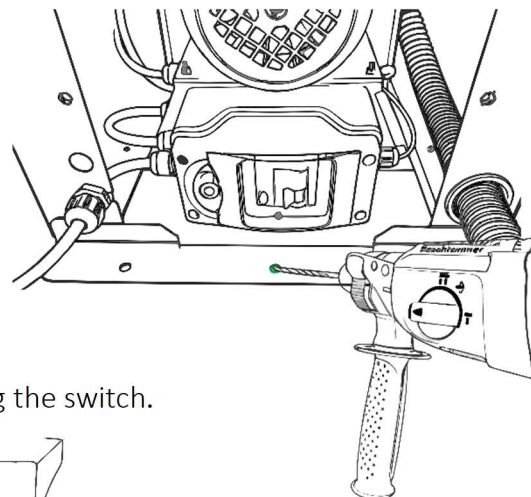
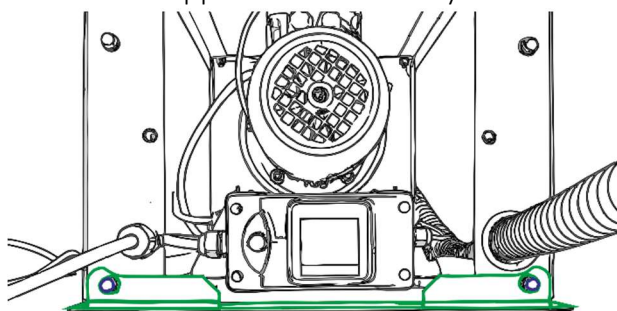


R10

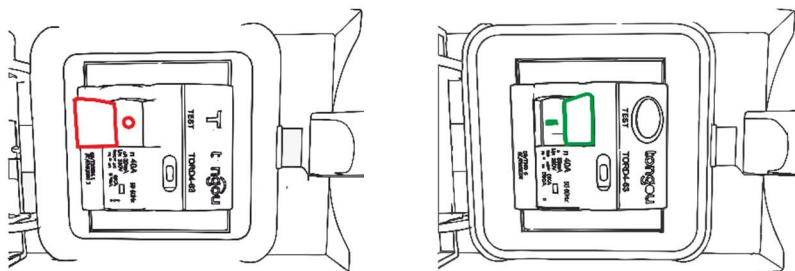
4. Install a PROTECTIVE PLATE underneath the dryer using the same bolts from removed transit bar. The protective plate must be always installed when the dryer is in operation.



5. Place the dryer onto the wall bracket and push on the top of it so that the dryer sits securely on the bracket. There should be no gap between the product and the wall.
6. Unscrew 2 screws at the bottom side of the dryer and using the same nuts screw them back in with the securing bracket. Mark a hole in the securing bracket onto the wall.
7. Remove the dryer from the wall. Drill one hole, fit the wall fixing, place the dryer back onto the wall bracket, push on the top of it so it sits securely on the bracket and screw the securing bracket using the supplied screw securely to the wall.

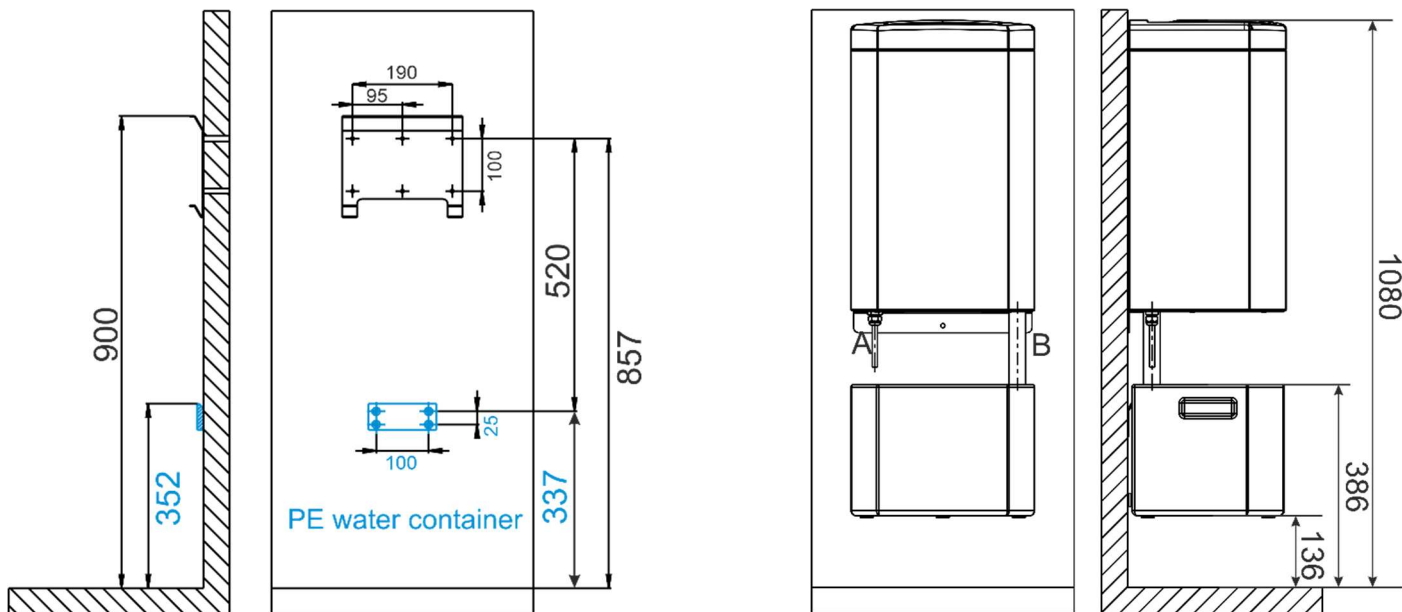


8. The RCCB is in the TRANSPORT MODE, turn it ON by flipping the switch.



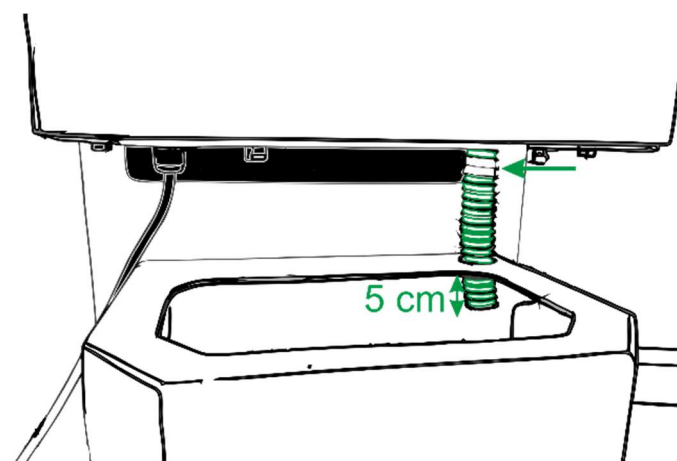
9. Install the operating manual on the wall above the dryer at height of 165 cm.

Optional – Installation process with the water container



- When following the manual, the bottom edge of the water container will be 136 mm from the floor. Make sure that there is no obstacle on the wall that would prevent the installation of the water container. Otherwise, adjust the recommended heights to your needs.
- Install the wall bracket according to the instructions in 4.4.2 Installation process.
- In the center line with the dryer, place a water container bracket against the wall so that the top edge is 355 mm from the floor and level. Using a marker pen, mark 4 holes in the bracket, drill the holes and fit the wall fixings.
- Line the water container bracket with the holes, make sure it is level and screw it securely using 4 supplied screws. Following the manual the top edge of the container will be 386 mm from the floor. Place the water container onto the bracket and make sure it is securely in place.
- Pull the drain hose from the bottom part of the dryer and insert it into the hole in the water container. Shorten the drain hose so that it reaches 5 – 10 cm below the top of the water container.

⚠ WARNING After installation of the dryer and the water container shorten the drain hose so that it extends 5 - 10 cm below the top of the water container.



4.5. *Electrical connection and first use*

⚠ WARNING All electronic connections must be done by a qualified electrician and in accordance with all applicable local electric codes and regulations.

4.5.1. Electrical connection

SuitSpin can be supplied in two specifications:

- Power cord with a plug type E/F, length of the cable approximately 2.5 meters
- Power cord with a plug type E/F (KSC 8305), length of the cable approximately 2.5 meters
- Power cord with a plug type G (SASO 2203), length of the cable approximately 2.5 meters
- Power cord with a plug type M (IS 694), length of the cable approximately 2.5 meters
- Power cord without a plug, length of the cable approximately 2.5 meters

After installing the dryer correctly onto the wall, it can be connected to the power supply (L – live wire – brown / N – neutral wire – blue / PE – ground wire – green/yellow). All electrical connections must be made by a qualified electrician and in accordance with local electrical codes and regulation.

4.5.2. Optional – Connection the dryer to the coin machine/chip system

The SuitSpin is ready to be connected to a coin machine / chip system. You can connect it to any system that you are using right now or that is available in your location as long as it meets the following requirements:

- A timer that can be set for 20 seconds and that switches on after inserting a coin / introducing a chip to the reader.
- Connecting the system with the SuitSpin using a 2-wire cable with potential free signal (recommended wire diameter 2 x 1 mm).
- We recommend using system with such a voltage to ensure safety of operation. The system must be in compliance with all applicable local electric codes and regulations.

Connection steps:

- We recommend installing the coin machine / chip system on a wall next to the dryer.
- Pull the cable with potential free signal out of the coin machine / chip system, pull it through PG 11 gland (not supplied) and fix the PG gland to the stainless steel plate at the bottom of the dryer.
- Unscrew the end cup gland from the electrical box and install a PG7 gland (not supplied) into the same hole. Pull the cable through the gland and into the electrical box. We recommended fixing the cable to the inner side of the electrical box.
- Connect the cable with potential free signal to the terminal blocks marked as “IN1” and “GND”, see the 6. Wiring diagram.
- On the mother board, move the blue switch marked as “1” up to the “ON” position, the dryer will now receive the potential free signal from your system.
- Should you want to temporarily disconnect the coin machine / chip system, simple put the blue switch on the mother board marked as “1” back down to the “OFF” position.

4.5.3. First use of the product

⚠WARNING After connecting the SuitSpin to the electricity, make sure that the RCD at the bottom side of the dryer is in ON “I” position.

⚠WARNING Before first use of the product, make sure that the inner drum is intact and that the product was not damaged during installation.

⚠WARNING Operate the SuitSpin according to the operation instructions on the lid and on the wall (see the annex).

4.5.4. General operation

⚠WARNING Before each use, check that the drum is empty and intact.

⚠WARNING Children and people with reduced physical, sensory or mental abilities should only use the product under the supervision of a responsible adult.

⚠WARNING If SuitSpin is visibly damaged, or you have any concerns over the safety of the device, DO NOT USE until the issues have been resolved.

Operation of SuitSpin is extremely simple and safe.

1. Do not use the dryer unless the drum is stationary
2. Place a SINGLE PIECE of swimwear into the drum – make sure any strings are facing downward
3. Make sure the swimwear is entirely UNDER THE BRUSH SEAL, otherwise it could get damaged
4. Close the lid and hold it down for 10 seconds – the inner drum will rotate, extracting the water from the swimwear. A break will apply after 10 seconds, or if the lid is opened, and stop the drum. If the dryer vibrates excessively, lift the lid and re-position the swimwear more evenly.
5. When complete, remove the swimwear from the dryer.

If a water collection tank is being used, regularly inspect the volume of water within the tank and empty as required.

5. Cleaning and maintenance

⚠ WARNING During cleaning and maintenance, the SuitSpin must be unplugged.

The SuitSpin was designed to require low maintenance, however all mechanical and electrical appliances require your attention. Following the periodical and easy cleaning and maintenance instructions helps to avoid future problems and leads to higher customer satisfaction.

We recommend daily, weekly and monthly cleaning in places with chlorinated water with less than 200 customers per product per day. In case that the water is more aggressive (iron, sulfur, salt) or with more customers per day, we recommend shortening the cleaning period in order to prevent malfunctioning of the product.

⚠ WARNING Never pour water inside the dryer, it could lead to water damage.

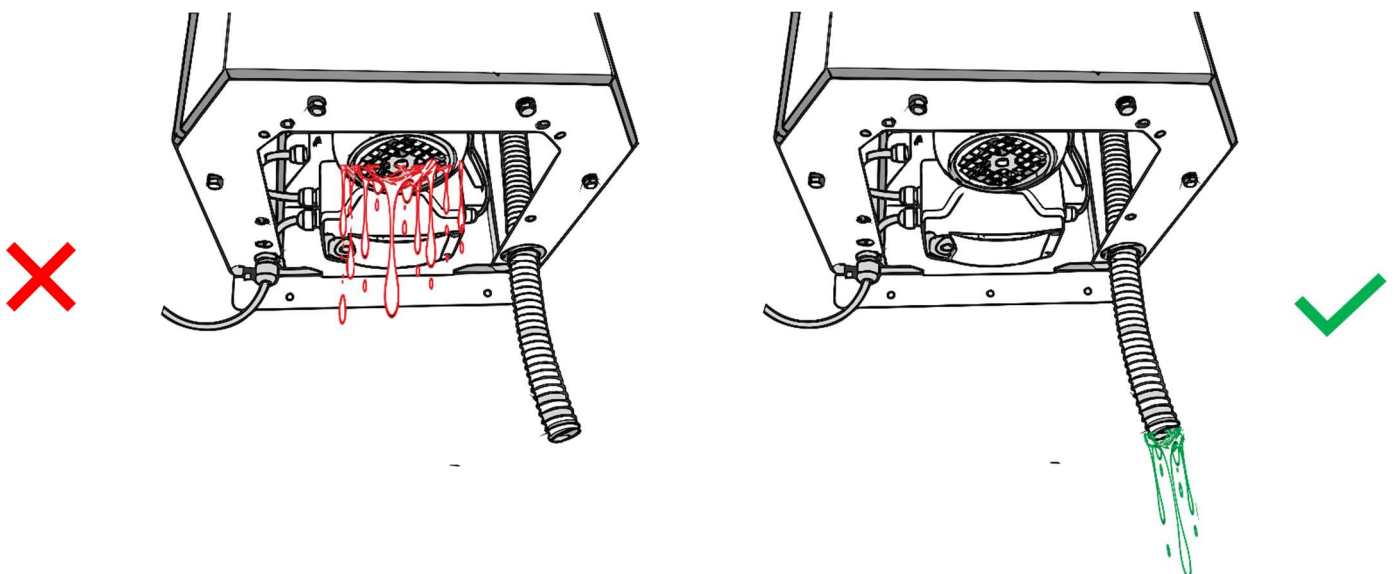
5.1. Daily routine

Isolate the power supply.

1. Clean the inner drum with a disinfectant. Spray the disinfectant inside the drum and let it work. Then wipe it using a soft cloth.

After cleaning reestablish the power supply and test the unit.

2. Insert a wet swimsuit/cloth inside the drum and run the cycle. **Extracted water must exit through the waste hose freely and must be clear. All extracted water must go through the waste hose. In case the water runs down the engine and drops from the bottom of the dryer, your waste hose is clogged. In that case, immediately clean the waste hose or install a new one.**
3. When running the cycle, make sure that the engine starts immediately, the cycle time is 20 seconds and the engine stops instantly (in less than 1 second).
4. Check that the brush ring on top of the stainless-steel drum is intact. If it is damaged the SuitSpin must be disconnected from the power source until a new brush ring is installed.



5.2. Weekly routine

5.2.1 Cleaning instructions

⚠ WARNING *During cleaning and maintenance, the SuitSpin must be unplugged.*

Isolate the power supply.

1. Clean the outside cover and plastic parts using a soft cloth. Use lukewarm water with mild detergent, or products specially used for cleaning of stainless steel, plastic or painted surfaces. Plastic parts must not be cleaned with products that contain alcohol or that are flammable or abrasive.
2. Clean the inner drum with a disinfectant. Spray the disinfectant inside the drum and let it work. Then clean it thoroughly using a soft cloth.

After cleaning reestablish the power supply and test the unit.

3. Check the waste hose by inserting a wet swimsuit/cloth inside the inner drum and running the cycle. **Extracted water must exit through the waste hose freely and must be clear.**
 - a. Should the water be dirty, repeat the procedure several times, until the water is clear. If it does not help, dismantle and clean the waste hose or replace it with a new one.
 - b. **Should the water run slowly or not at all, the waste hose is most likely clogged. In that case, dismantle and clean the waste hose or replace it with a new one.**

5.2.2 Technical inspection

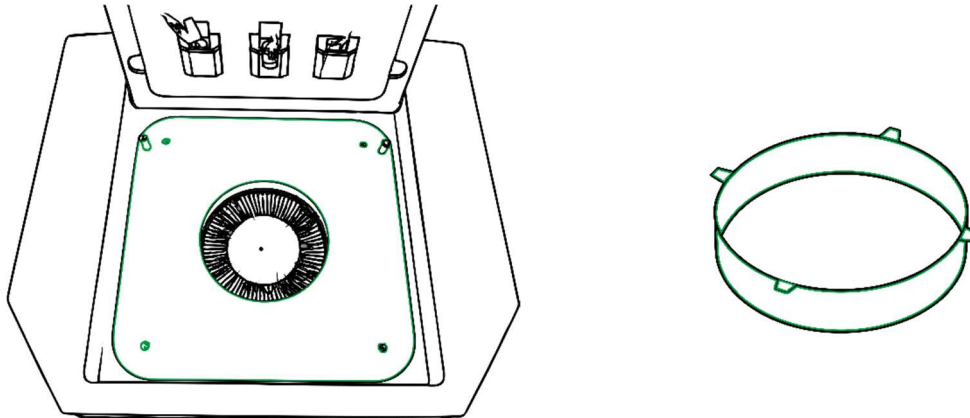
1. Check that the inner drum is intact and that it does not lean to one side. In case the drum leans to one side, a shock absorber might be broken. In that case, contact your supplier and inform him/her about it.
2. Check that the protective bristle ring is fixed properly to the top of the inner drum and that the ring is intact. In case of damage to the bristle ring, contact your supplier and order a spare part.
3. Close the lid and run the cycle.
 - a. After closing the lid, the engine must start immediately. In case the engine does not start immediately or takes time (more than 3 seconds) to start spinning, check for any possible obstacles between the inner and outer drum.
 - b. Make sure that the timer is working correctly, the cycle time is 20 seconds.
 - c. Make sure that the engine stops immediately (in less than 1 second) when the cycle is over or anytime when the lid is opened. In case the engine takes longer to stop, contact your supplier as your brake might need adjustment.

5.3. Monthly routine

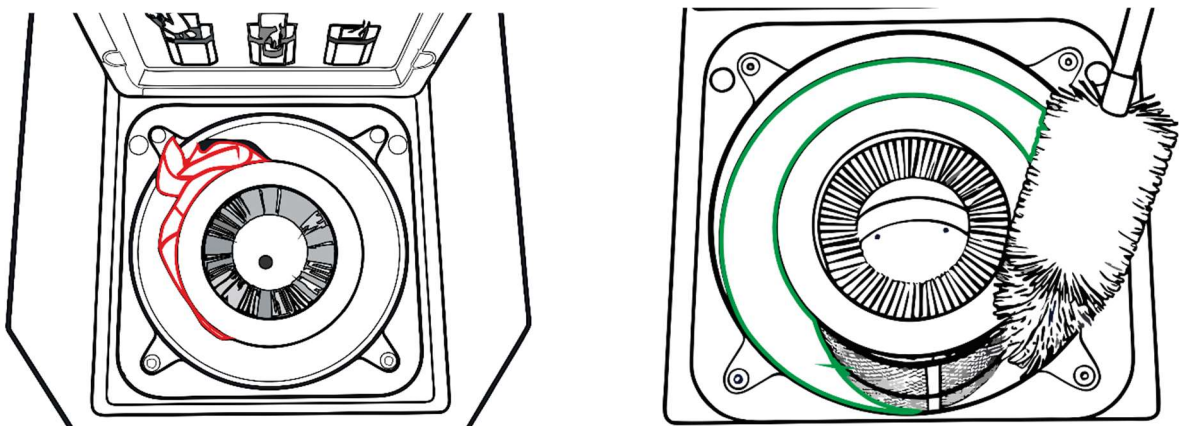
⚠ WARNING *During cleaning and maintenance, the SuitSpin must be unplugged.*

Isolate the power supply.

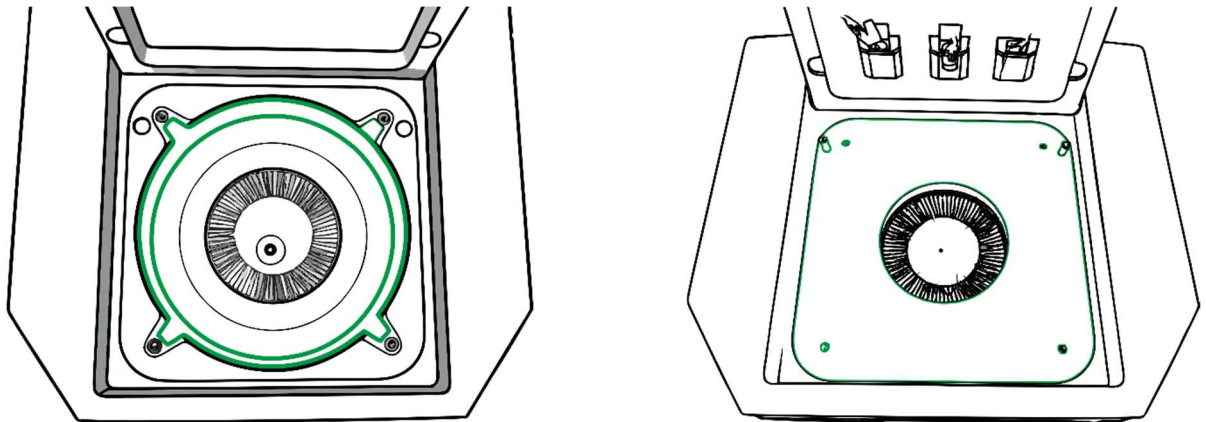
0. Clean the outside cover according to the weekly cleaning instructions.
1. Unscrew 4 screws using the supplied screwdriver, keep the screws. Remove the white plastic part, check that the springs are attached to the black plastic tube and that they are intact. Clean the white plastic part using a disinfectant and a soft cloth.
2. Remove the stainless steel band and clean it using disinfectant and a soft cloth.



3. Check the space between the inner and outer drum and make sure that there is no foreign object. In the case there is one, remove it. Make sure that the hose connection outlet at the bottom of the outer drum is not clogged. In case of blockage, clean it thoroughly. Spray the space between the drums using disinfectant and let it work. Then clean the space thoroughly using the supplied bottle brush.
4. Make sure that there is no foreign object inside the inner drum, in case there is one, remove it. Spray the inner drum using disinfectant and let it work. Then clean the drum thoroughly using a soft cloth. Make sure that the bristle ring is properly fixed on the top of the inner drum and intact. In case of damage, contact your supplier and order a spare part.

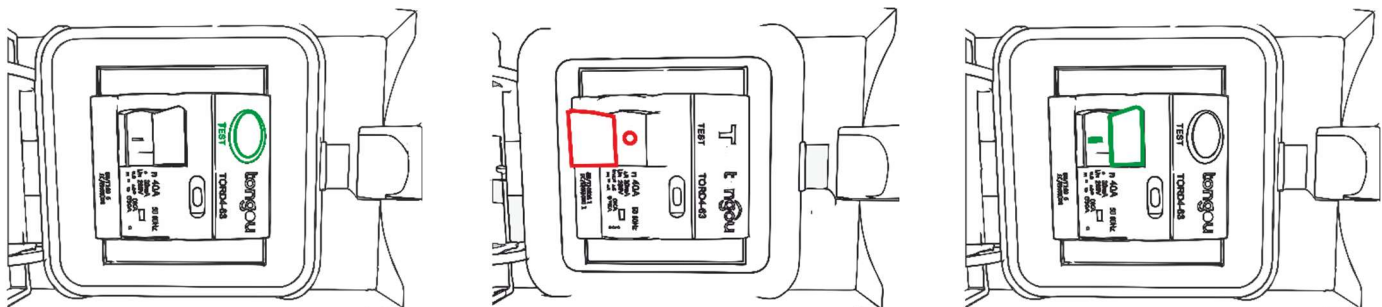


5. Put the stainless steel band back inside the outer drum and make sure that the 4 bent parts are facing the brass nuts (as seen in the picture).
6. Install back the white plastic part by screwing in the 4 previously removed screws, make sure that the springs fit inside the 2 holes. Test that the springs are strong enough to open and hold the lid.



After cleaning reestablish the power supply and test the unit.

7. At the bottom side of the dryer locate the junction box with RCD. Open the plastic door and press the „TEST” button.
8. The RCD’s switch must move to the „OFF” position. Move the switch back to the „ON” position to resume normal function. If the switch does not move to the „OFF” position during testing or is unable to be moved back to the „ON” position, the RCD may be faulty. Please contact your SuitSpin’s supplier!



9. Insert a wet swimsuit/cloth inside the drum and let the cycle run. This will remove the remaining of the disinfectant. At the same time check that the extracted water exits freely through the waste hose and that it is clear. If not, the waste hose must be cleaned or replaced with a new one.
10. Make sure that the engine starts immediately after closing the lid, the cycle time is 10 seconds and the engine stops instantly (in less than 1 second). In case the engine takes longer to stop, please contact your supplier, the brake pads might be worn out.

REMOVING/CLEANING/REPLACING THE DRAIN HOSE:

Isolate the power supply.

The drain hose is connected to the outer drum waste port on the underside of the machine. Unfasten the jubilee clip which holds the hose to the port and slide off the hose. The hose can then be cleaned with the supplied bottle brush. Re-fix the hose, using the same jubilee clip, back onto the drain port.

Reestablish the power supply and test the unit.

7. Troubleshooting

SuitSpin does not operate	Motor doesn't buzz / brake doesn't click / end switch doesn't click	Check whether you can hear a click of the end switch when opening / closing the lid. If not, the end switch will need re-adjustment.
	Motor doesn't buzz / brake doesn't click / end switch does click / the problem is long lasting	Check that the RCD is in the ON "I" position and that it does not trip. Check that the dryer is connected to the electricity.
	Motor doesn't buzz / brake doesn't click / end switch does click / the problem occurs sometimes	Carefully check the motor temperature. The motor has integrated thermal protection that shuts down the engine when overheated. After cooling down the motor works again. Check that there isn't any foreign object in the space between inner and outer drum that could cause a friction (follow the monthly cleaning instructions). If it doesn't solve the problem, motor's bearings might be worn out.
	Motor does buzz / brake doesn't click	Your brake needs adjustment / new friction plates. Contact your supplier.
	Motor does buzz / brake does click	Check that there isn't any foreign object in the space between inner and outer drum that could cause a friction (follow the monthly cleaning instructions).
SuitSpin is making excessive noise	Immediately after installation	Check that you removed the transit bar underneath the dryer. Check that the security bracket was properly installed. Check that the shock absorbers were not damaged in transit.
	In normal operation / inner drum is tilted to one side	Your shock absorber is most likely damaged. Take the dryer off the wall a check the shock absorbers visually. In case of damage contact your supplier and do not use the dryer until the problem is solved.
	In normal operation / inner drum is not tilted to one side	The users may not be operating the product correctly (unevenly inserted swimsuit, more swimsuits at a time, forbidden items). Try to evenly insert a swimsuit inside the drum and run the cycle. If the product is still noisy, try to run the cycle with drum being empty. In case the dryer is still noisy the inner drum or the shock absorbers might be damaged. Check the shock absorbers visually, in case of damage, contact your supplier.
SuitSpin is leaking from underneath	The water is not coming only from the drain hose	Check that the drain hose is not clogged or damaged. Check that the waste outlet at the bottom of the inner drum is not clogged. Do not use the product until the drain hose is cleaned or replaced with a new one.

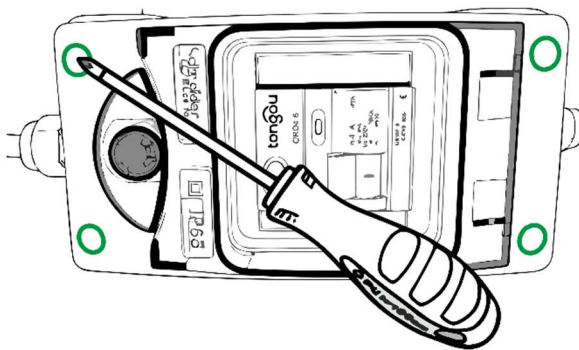
8. Annex

8.1. Operation manual on the lid / Operation manual on the wall

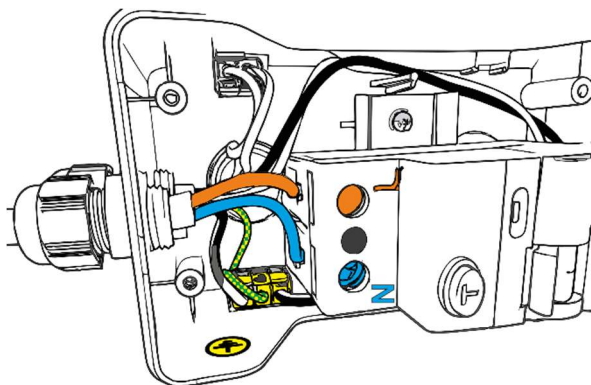


8.2. Replacement cord instructions

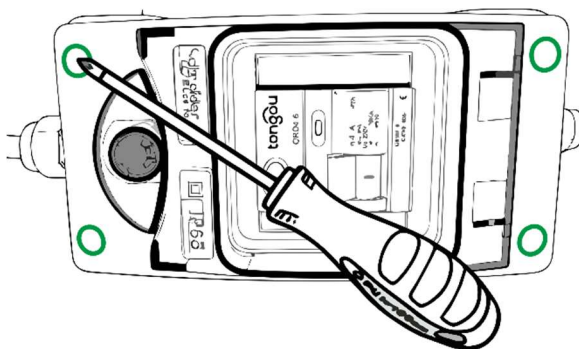
⚠ WARNING During cleaning and maintenance, the SuitSpin must be unplugged.



Unscrew 4 screws of the RCCB box lid and remove lid



Disconnect the power cord from RCCB, unscrew the PG gland and remove the power cord. Insert the new power cord through the PG gland and connect the live wire (L) to the RCCB (L), the neutral wire (N) to the RCCB (N) and tighten securely. Connect the ground wire (PE) to the Wago clamp, make sure that it is connected securely. Tighten the PG gland securely.



Place the RCCB box lid back on and securely tighten the 4 screws.



Importer:
Certikin International Ltd.
Unit 4, Tungsten Park
Collets Way
Witney, Oxfordshire OX29 0AX
United Kingdom

Manufacturer:
Bamiko s.r.o.
Email: info@bamiko.cz
Bezručova 663, 756 61 Rožnov pod Radhoštěm, Czech Republic
ID No.: 02529009, VAT No.: CZ02529009