

## RECOMMENDED WASTEWATER DISPOSAL - OD 100, B 250-1

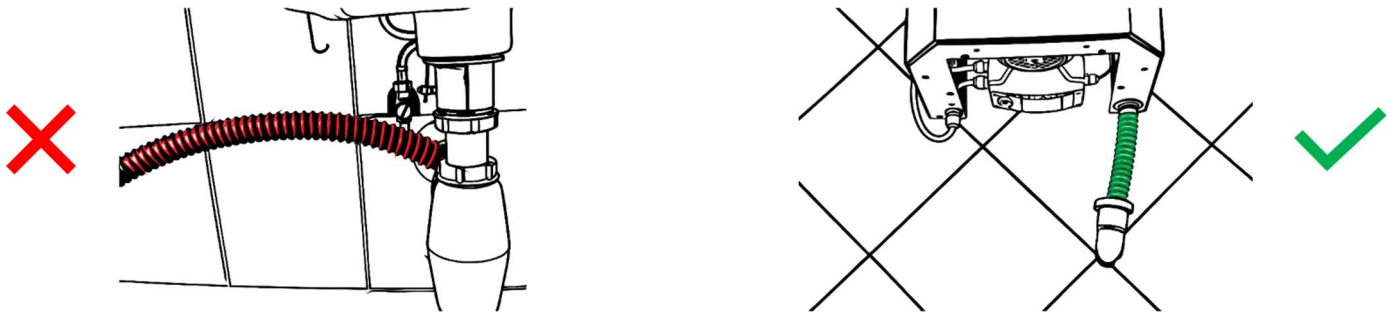


R10

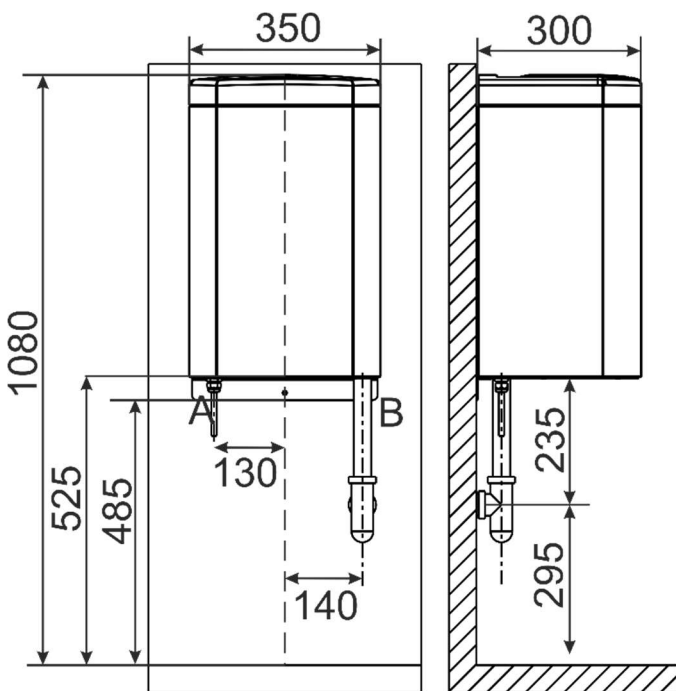
**⚠ WARNING** Installation must be done in accordance with all applicable local plumbing codes and regulations if you are in doubt consult the connection with a local plumber.

**⚠ WARNING** Check regularly that the drain hose is free of obstacles and that the wastewater flows freely. In case of insufficient flow, clean or replace the drain hose!

**⚠ WARNING** The drain hose must slope down at its whole length. It must not be bent or twisted!



### Connection to a waste line



A - Power cord - length 2.5 m

B - Drain hose - length 0.7 m

Inner diameter 25 mm

Outer diameter 31 mm

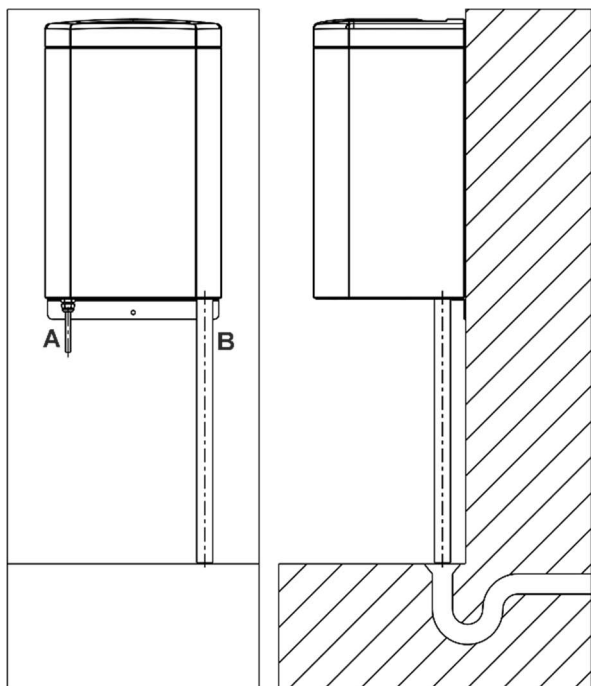
Shorten the drain hose according to your needs. The drain hose must not be bent or twisted, and it must always slope down to provide adequate water disposal. Not following this instruction, could leave to insufficient flow of water which could cause unpleasant smell and damage to the product.

## RECOMMENDED WASTEWATER DISPOSAL - OD 100, B 250-1



R10

### Connection to a floor drain



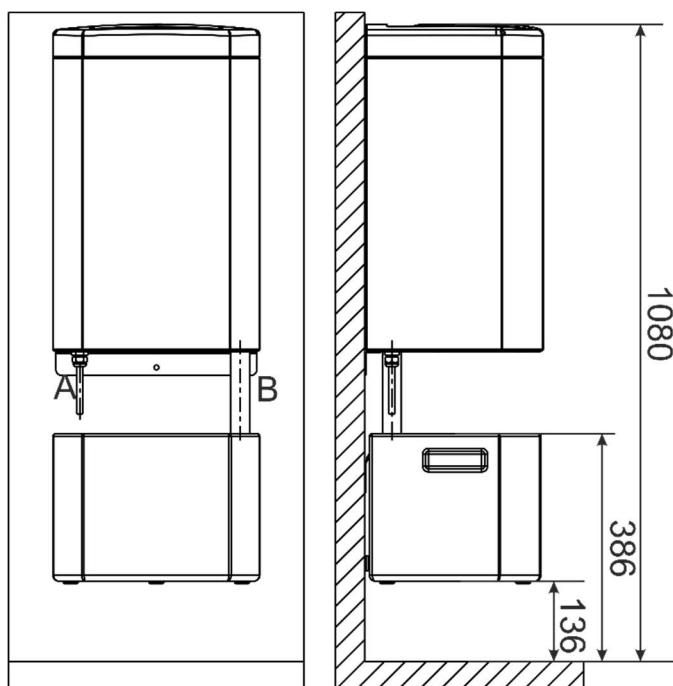
The drain hose can be connected or placed near a floor drain.

Shorten the drain hose according to your needs. The drain hose must be placed in such a way that it does not create an obstacle for people walking by.

In case the drain hose is placed in the vicinity of the floor drain, we recommend cutting the hose at an angle of 45° to maintain the free flow of water and prevent blockage.

This connection is recommended **ONLY** in places, where people expect water on the floor.

### Connection to a water container

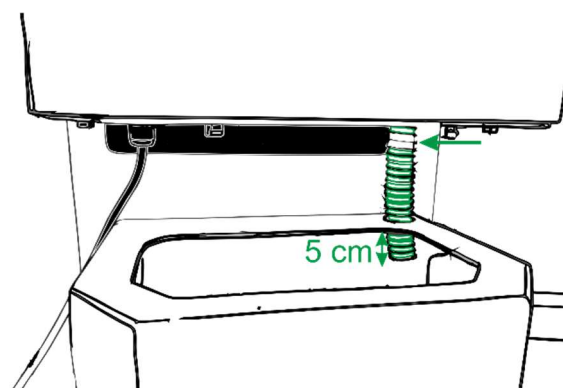


You can connect the drain hose to a water container that is installed on the wall underneath the dryer. The capacity of the water container is 18 liters of water, and it needs to be emptied manually.

After installation of the dryer and the water container shorten the drain hose so that it extends 5 - 10 cm below the top of the water container. Pull the drain hose through the hole in the water container, this way the drain hose will stay in place.

This installation is **ONLY** possible on walls that can hold at least 50 kg of weight.

**⚠ WARNING** After installation of the dryer and the water container shorten the drain hose so that it extends 5 - 10 cm below the top of the water container.



# RECOMMENDED WASTEWATER DISPOSAL - OD 100, B 250-1

R10

